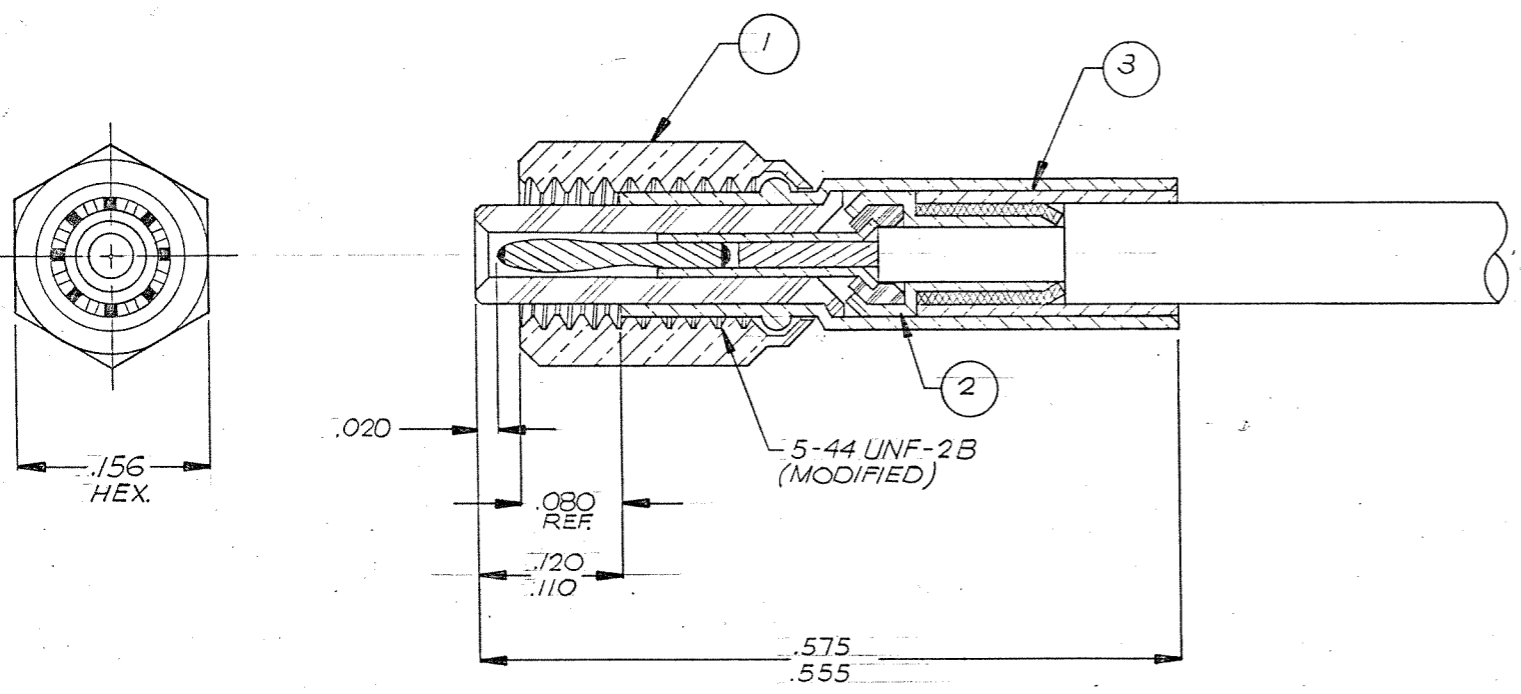


REVISIONS					
ZONE	LTR	ECN	DESCRIPTION	DATE	APPROVED
	C	28840	REVISED & REDRAWN ORIG. RELEASE E.M. 10-8-69	6-20-84	AS
	D	38512	UPDATE REV. LETTER	1/25/99	AS
	E	40102	REVISION, UPDATE	4/4/00	AS
	F	40202	UPDATE REV. LETTER.	5/17/00	AS
	G	40385	UPDATE REV. LETTER.	5/27/00	AS
	H	40498	UPDATE REV. LETTER.	5/29/00	AS
	J	40592	UPDATE REVISION LETTER	10/13/00	AS



Tyco Dwg 5-1532006-0
Micro P/N 142-0010-0001

NOTES: UNLESS OTHERWISE SPECIFIED

- THIS PLUG ASSEMBLY MATES WITH ALL LEpra/CON 141 SCREW-ON SERIES WITH LOCKING INTERFACE JACK AND RECEPTACLES.
- SEE RF-ASMB-12 FOR CABLE ASSY. INSTRUCTIONS.
- ALL METALLIC PARTS ARE GOLD PLATED PER MIL-G-45204 TYPE II, CLASS I.
- CABLE ACCEPTANCE DIMENSIONS: CENTER CONDUCTOR — .012
DIELECTRIC — .034
SHIELD — .054
JACKET — .080

QTY REQ	PART NUMBERS	DESCRIPTIONS	MATERIAL & SPECIFICATION	ITEM NOS
1	014-0004-0002	CRIMP SLEEVE	LEADED COPPER	3
1	014-0002-0002	FERRULE	BRASS-PER QQ-B-626	
1	014-0001-0001	INSULATOR	TEFLON L-P-403	
1	096-0525-0001	PIN, CONTACT ASSY.		
1	014-1002-0001	CONTACT, FERRULE SUBASSY		2
1	014-0005-0001	INSULATOR	TEFLON L-P-403	
1	000-1601-0040	HOUSING, STRAIGHT	BRASS-PER QQ-B-626	
1	014-0003-0002	NUT COUPLING	BRASS-PER QQ-B-626	
1	014-1079-0001	HOUSING, SUBASSY.		
1	014-1080-0001	HOUSING, SUBASSY. 156 HEX		1

PARTS LIST				
UNLESS OTHERWISE SPECIFIED DIMENSIONS ARE IN INCHES TOLERANCES ARE: FRACTIONS DECIMALS ANGLES ± .XX ± ±		CONTRACT NO.		MALCO A MICRODOT COMPANY, INC. 220 PASADENA AVE., SO. PASADENA, CALIF. 91030
MATERIAL		APPROVALS	DATE	
FINISH		DRAWN J. TIONGCO	6-14-84	STRAIGHT PLUG ASSEMBLY WITH LOCKING INTERFACE
NEXT ASSY USED ON		CHECKED	PR. ENG. 9/19/84	
APPLICATION		APPD.		PROD. CODE 946 CODE CDM
DO NOT SCALE DRAWING		<small>These drawings and specifications are the property of Microdot Inc., are issued in strict confidence and shall not be divulged, be reproduced or copied, or used as the basis for the manufacture or sale of any article without written permission of Microdot Inc.</small>		SIZE C CODE IDENT NO. 98278 DRAWING NO. 142-0010-0001
		SCALE 10X		SHEET 1 OF 1